

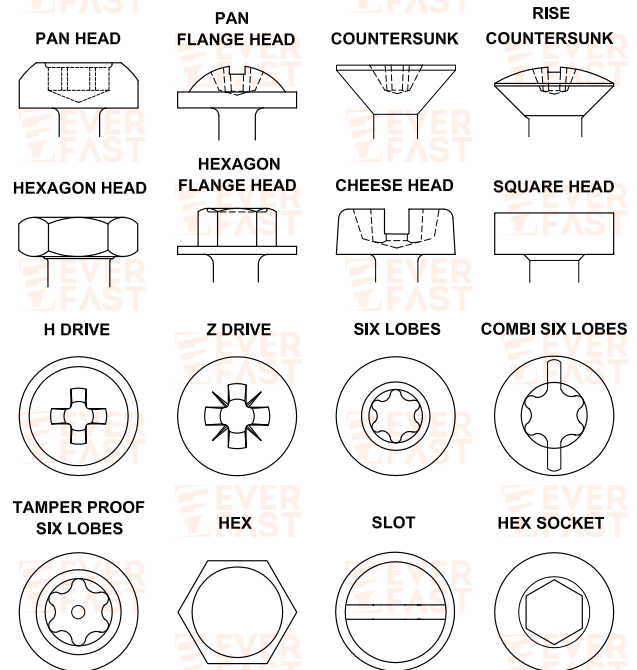
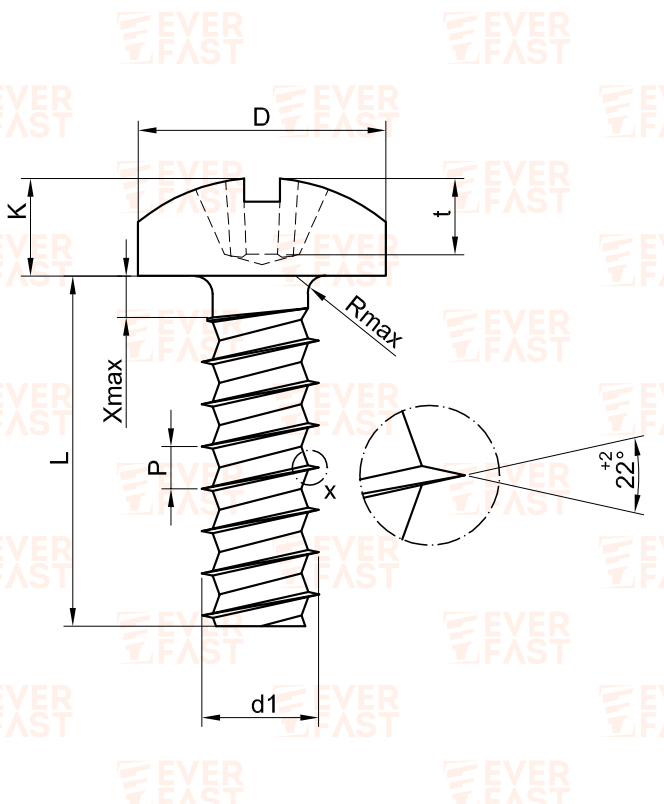


ever-fast.com

# EF-Plus 20

New generation screw for thermoplastic which provides higher torsional and tensile strengths.

- Provides higher torsional and tensile strengths
- Lower installation torque
- Superior Vibration Resistance
- Stress is minimized on plastic host
- Shorter fasteners and smaller diameters
- Better clamp loads
- Increased joint life
- Increased flank engagement



All the EverFast treatments are carried out in full respect of the environment, in compliance with the RoHS and Reach standards, and are free of chromium (VI).

**Surface treatments:** white, yellow, black, iridescent high-strength zinc plating, zinc-nickel plating, zinc-iron plating, nickel plating, copper plating, tin plating, geomet coating, sealing, lubrication, dehydrogenation, self-locking, stainless steel polishing, blacking - burnishing.

Other treatments on request.